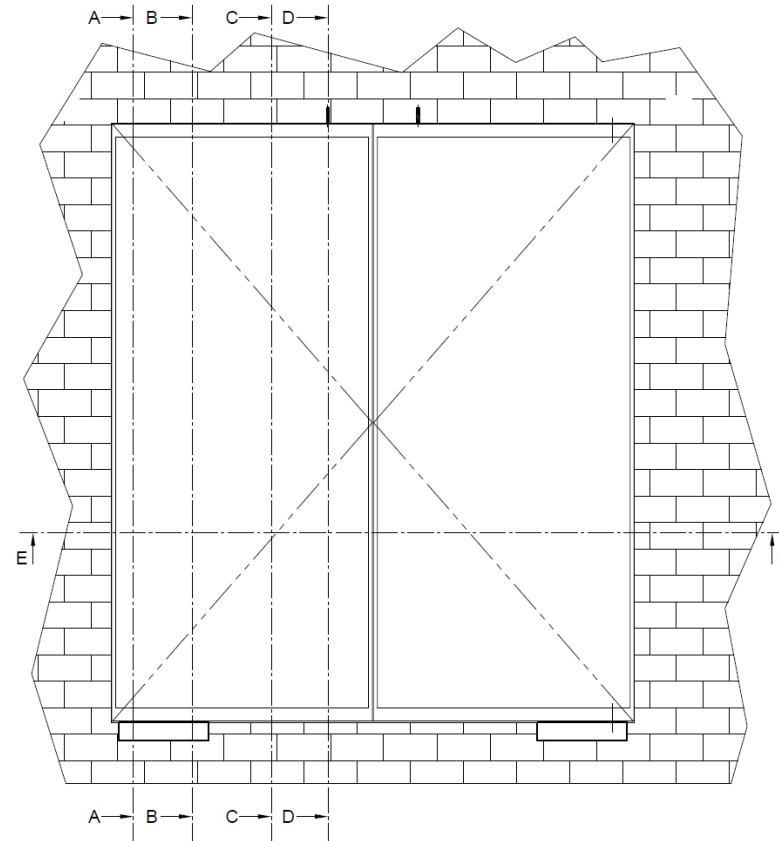




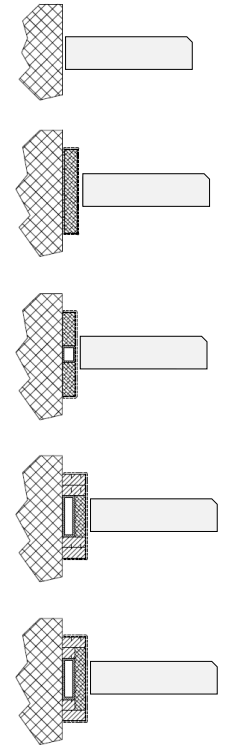
VIGGLAS[®]
by Picco&Martini

STEP 1

- Check the different dimensions of the bay, the flatness of the ground and the squaring of the walls or the support construction;
- If the squaring is not possible, use the adaptable frame to get a perfect squaring;
- See certificate for more details.

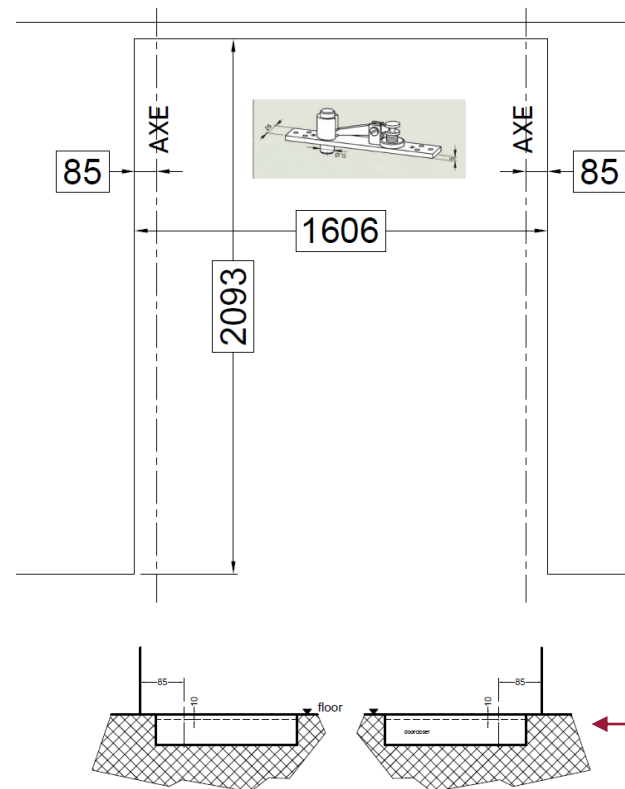
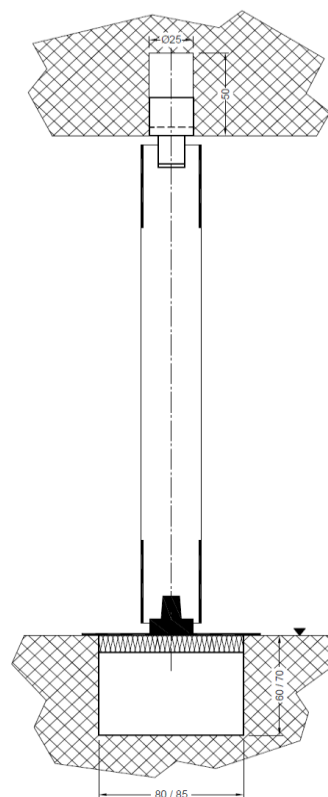


1 vantail / 2 vantail
VIGLAS



STEP 2

- Check the position of the door opening axis (the use of a laser is advised);
- Position the floor pivot and upper pivot according to the axis (the floor pivot box must be 10mm under the final floor level).



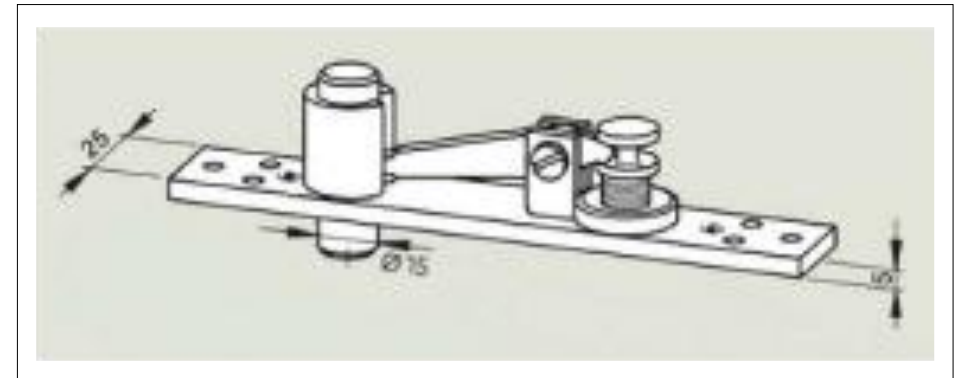
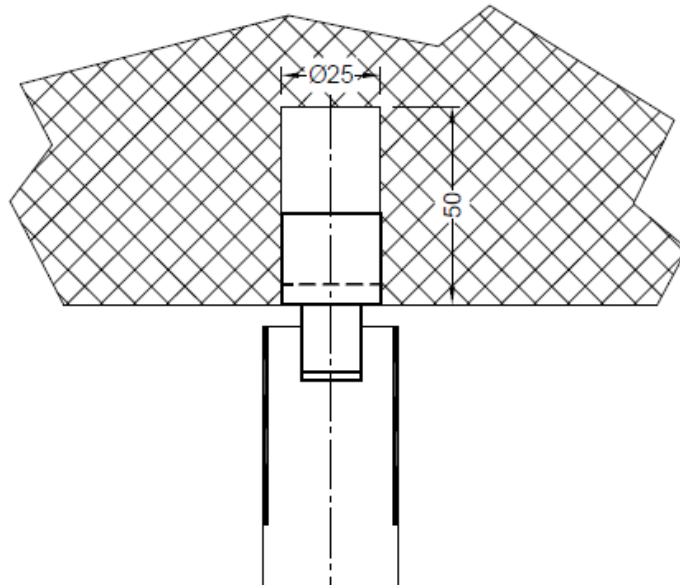
STEP 2

- Floor pivot adjustment



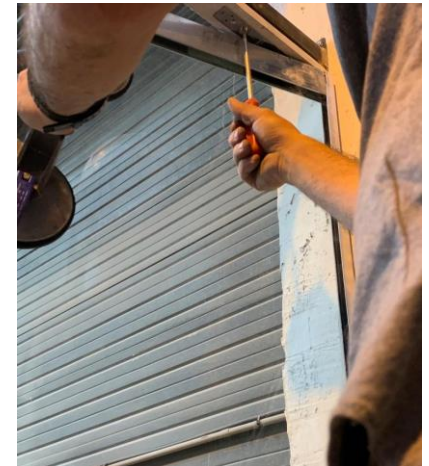
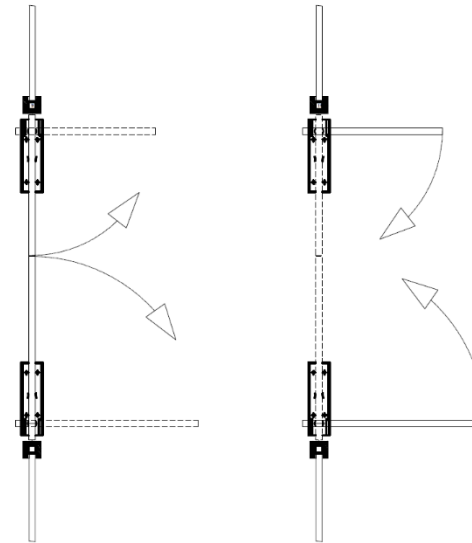
STEP 2

- Upper pivot adjustment



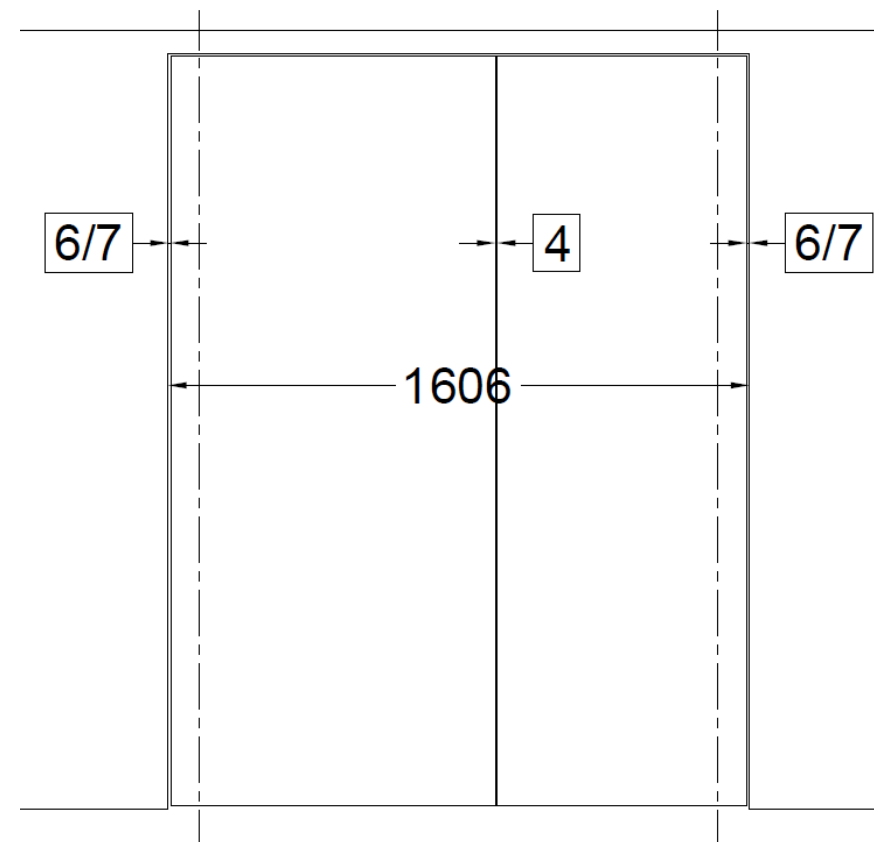
STEP 3

- Position first the door leaf with a light angle on the floor pivot (the use of glass suckers is advised);
- Straighten the door vertically and open slowly the leaf to 90° by turning the leaf only on the door spring (keep the door supported as long as the upper pivot isn't fixed);
- Lower the upper pivot into the door leaf using the screw;
- Close the leaf slowly and check it doesn't touch any surface.



STEP 4

- Check the perimeter clearances around the door and between the two leaves (in case of a double door);
- Refer to the perimeter gaps authorized in the certificate;
- See the floor spring instructions to adjust the gaps.





STEP 5

- Finishing of the floor spring;
- Be sure that the floor pivot is perfectly fixed and doesn't move inside the box;
- Fill the door spring box with some mineral wool;
- Cover the floor spring with a sheet of ceramic paper;
- Close the floor spring with its metallic plate.

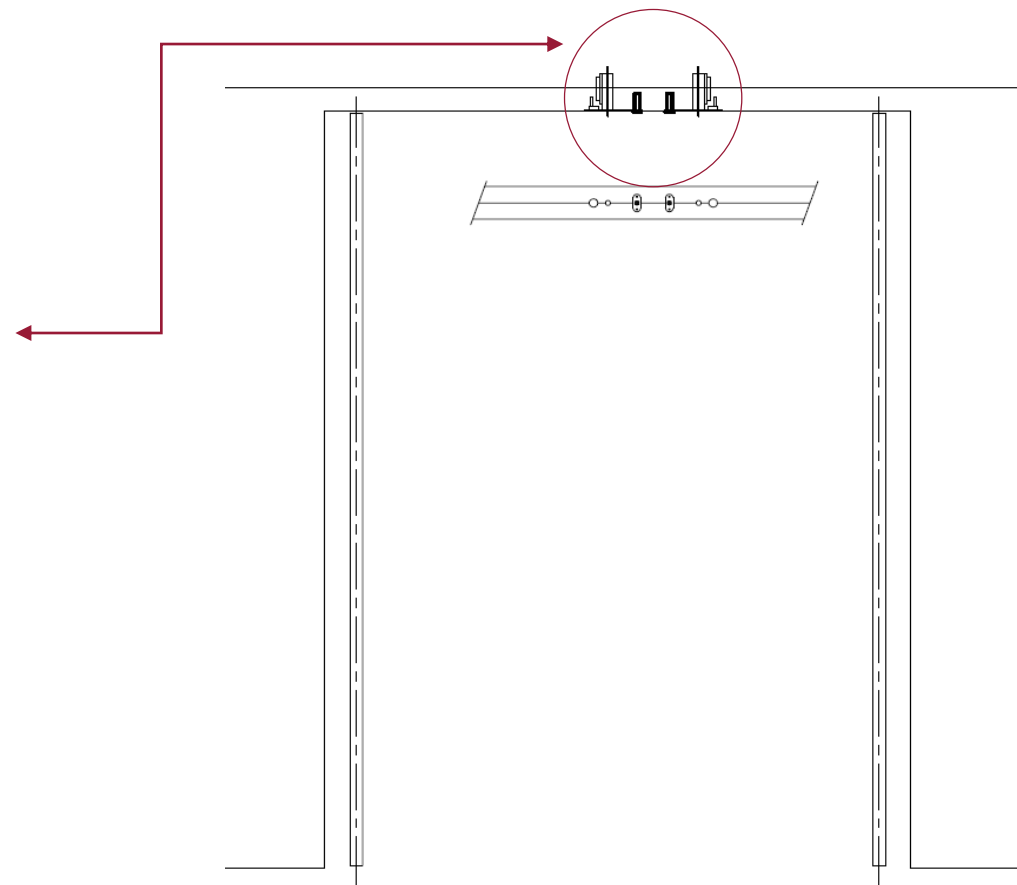




STEP 6

only for double leaf door

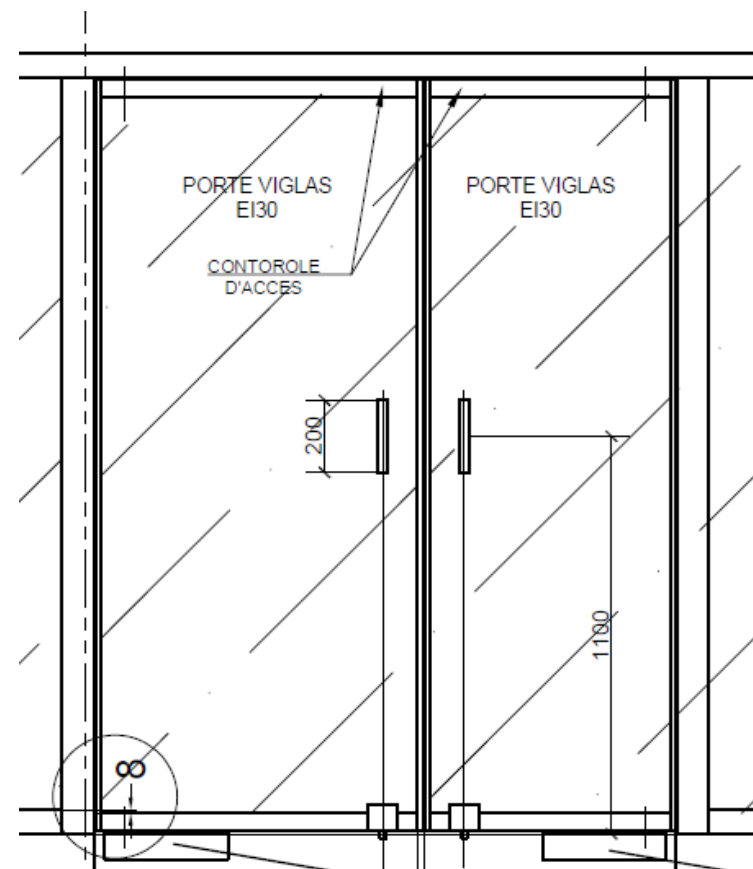
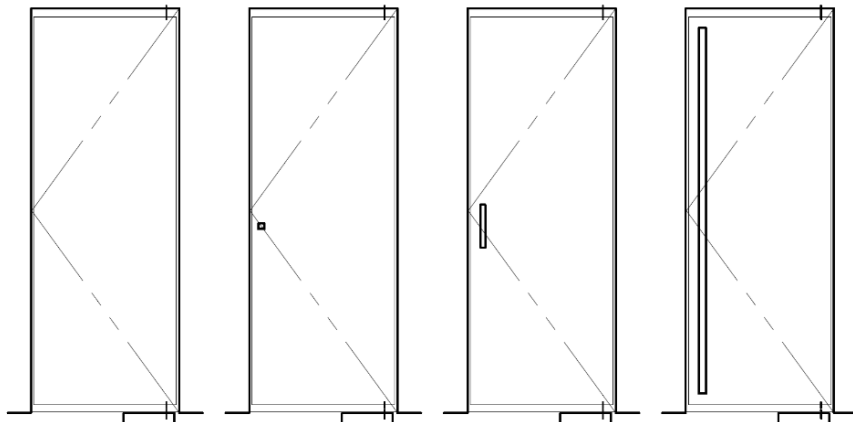
- Fix the thermal locks on the upper part of the support construction at the same level of the openings located on the leaves (upper edge);
- This will allow to lock the door in a closed position in case of fire.



STEP 7

- Fix the door handles using the double-sided tape supplied.

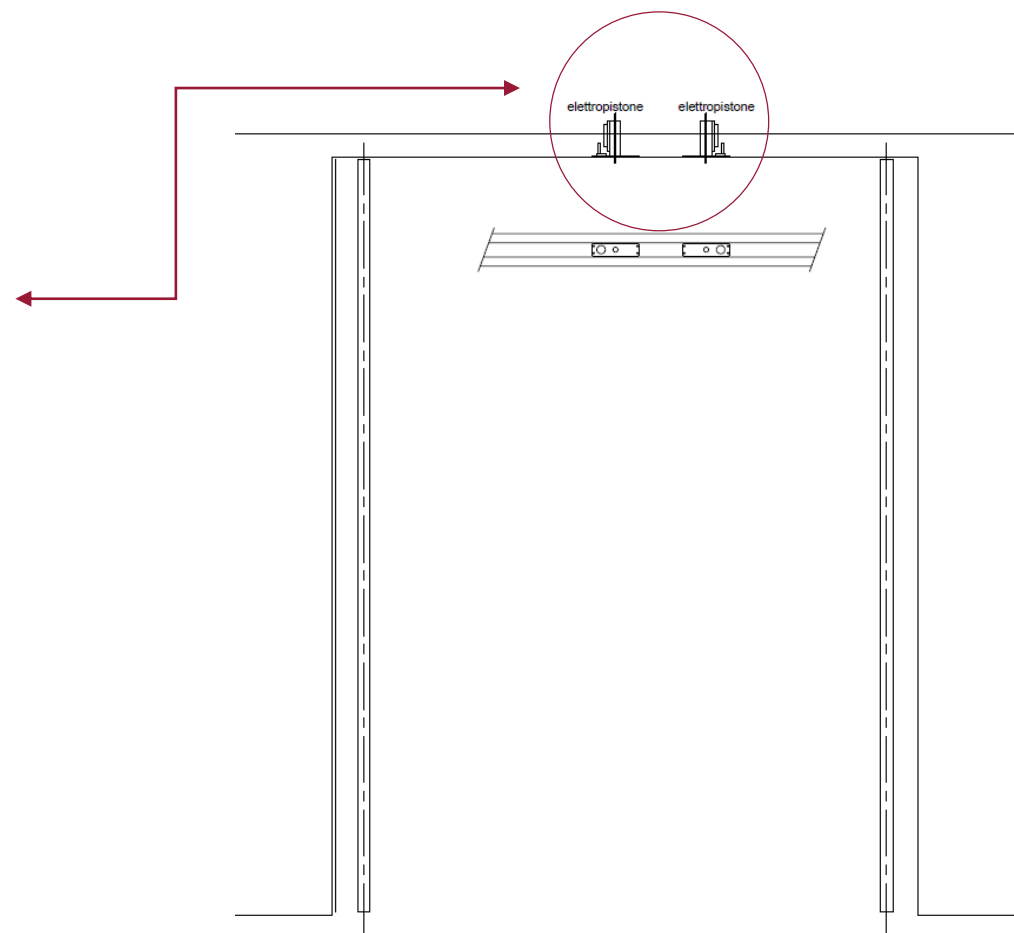
- > Button | Door handle
- > Aluminum | Stainless steel





STEP 8 optional

- Fix the electromechanical piston lock on the upper part of the support construction at the same level of the openings located on the leaves (upper edge).

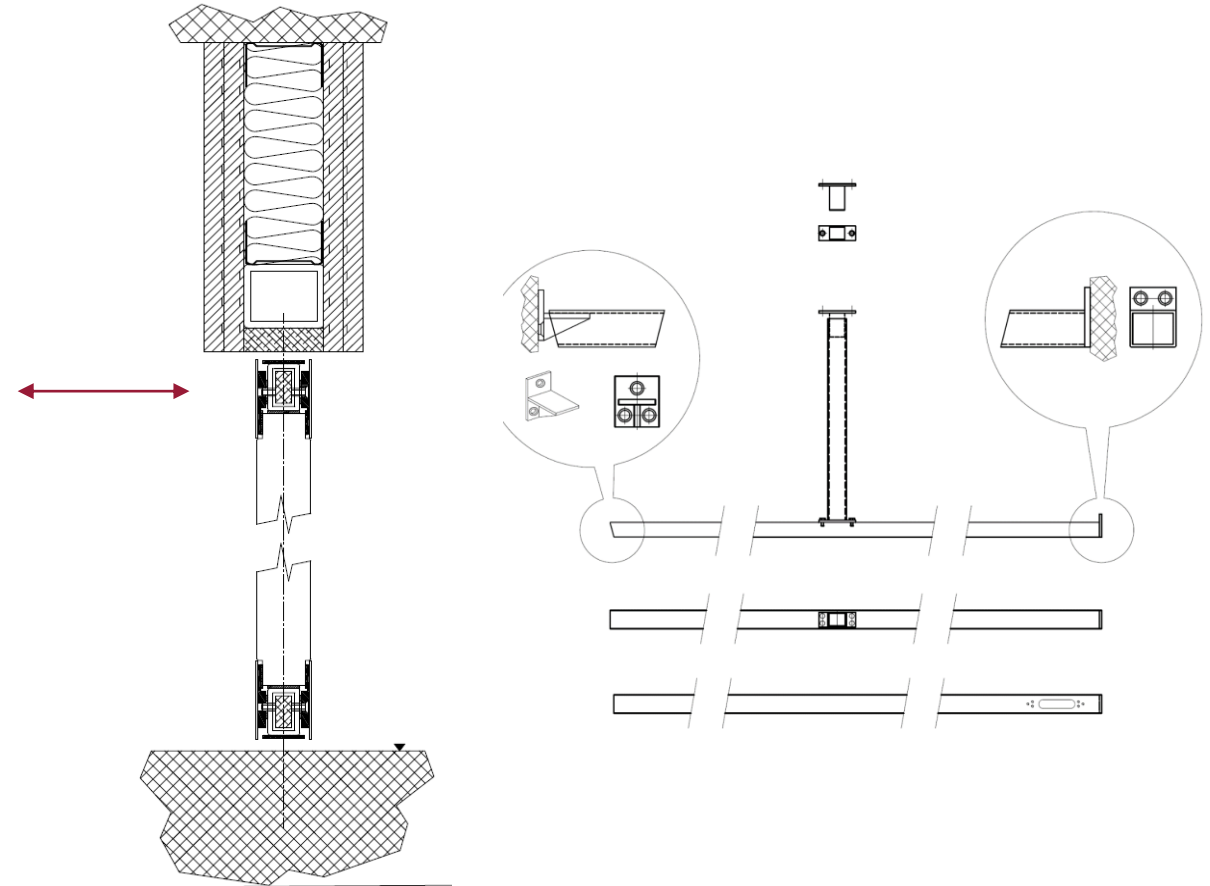




STEP 9

optional

- In the case of installation in a plasterboard partition, the partition edge around the door outline must be reinforced by a steel tube trimmer;
- The height of the transom in the upper part of the door must be 1.000mm max and it must be strengthened with steel tube uprights;
- See certificate for more details.

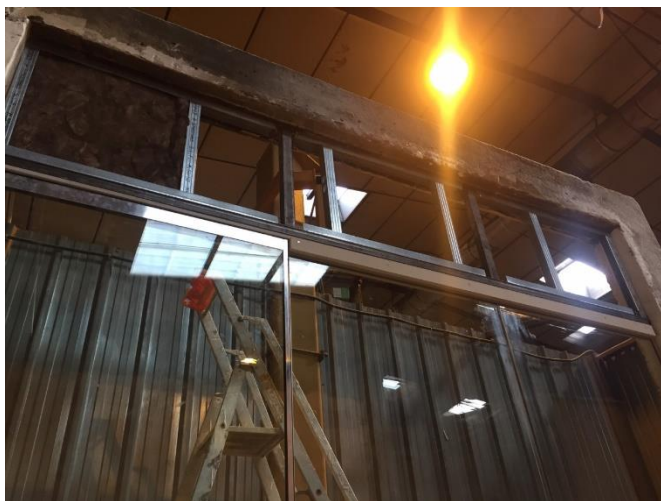




STEP 9

optional

- Transom reinforced on the upper part of the door.



VI  GLAS[®]
by Picco&Martini

